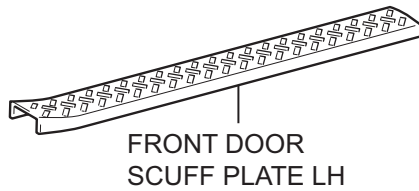
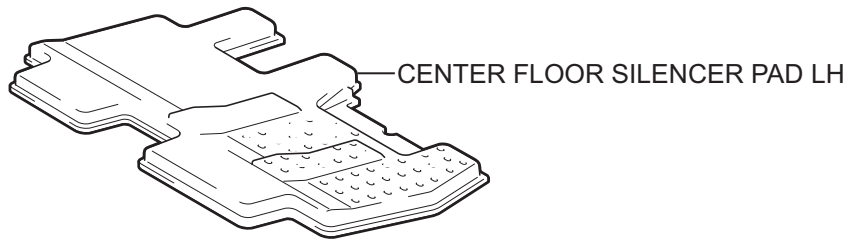
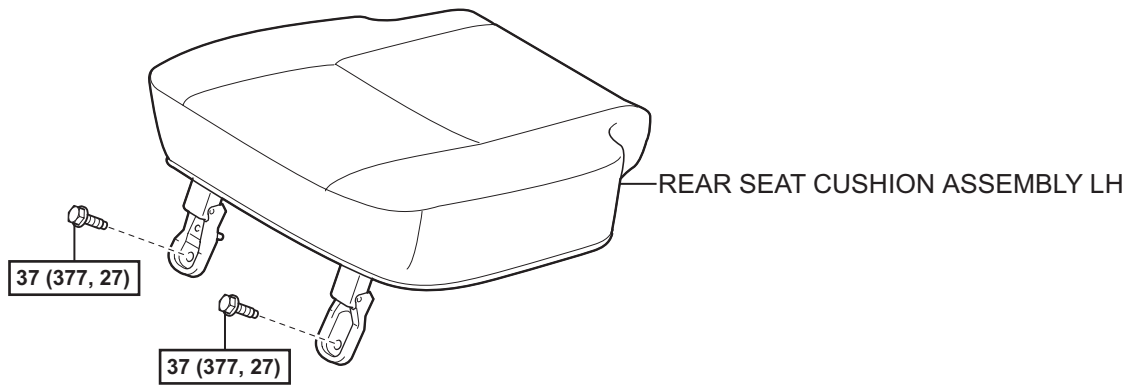
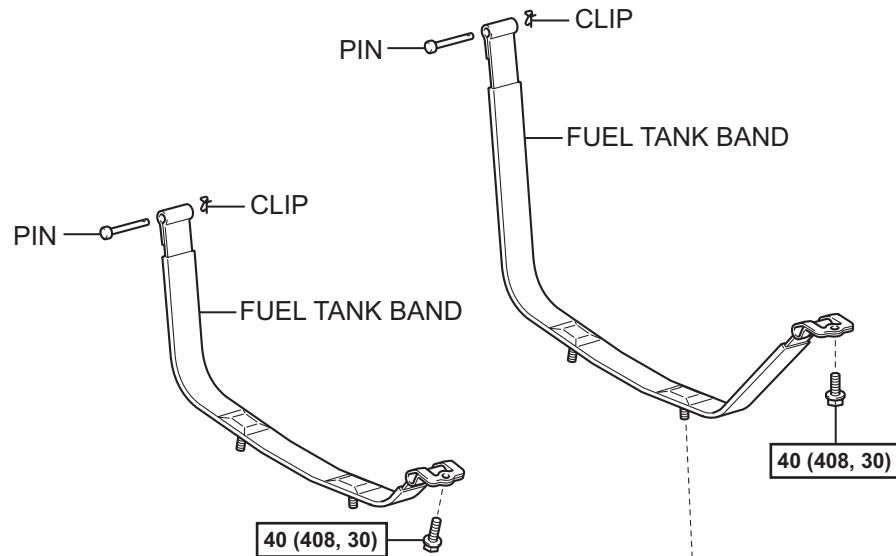
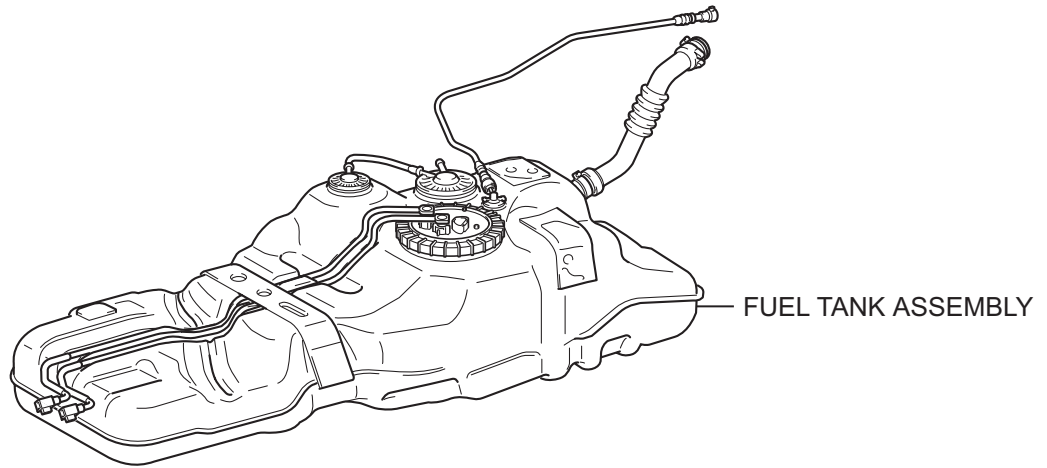


FUEL TANK COMPONENTS

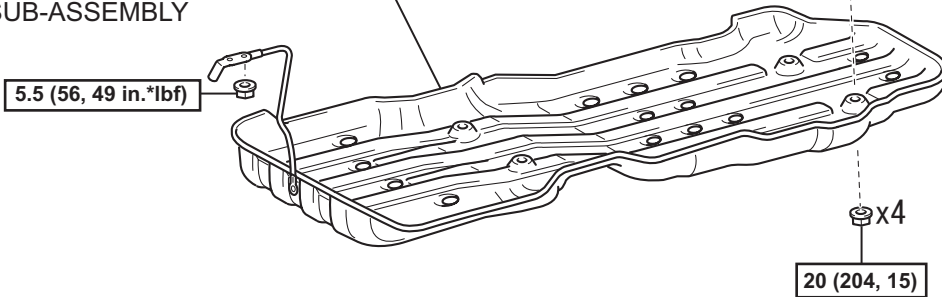
FU



N*m (kgf*cm, ft*lbf) : Specified torque



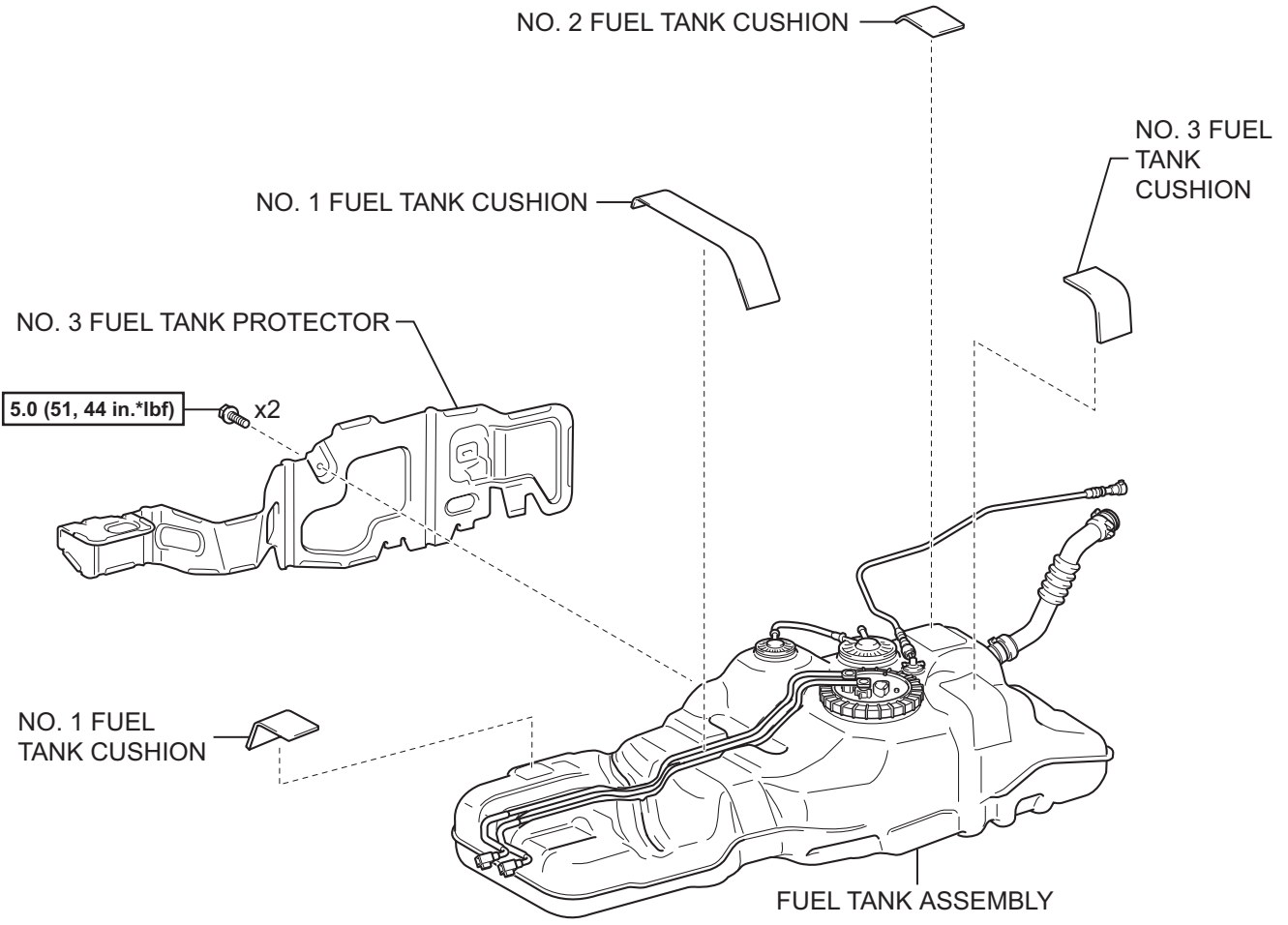
NO.1 FUEL TANK PROTECTOR SUB-ASSEMBLY



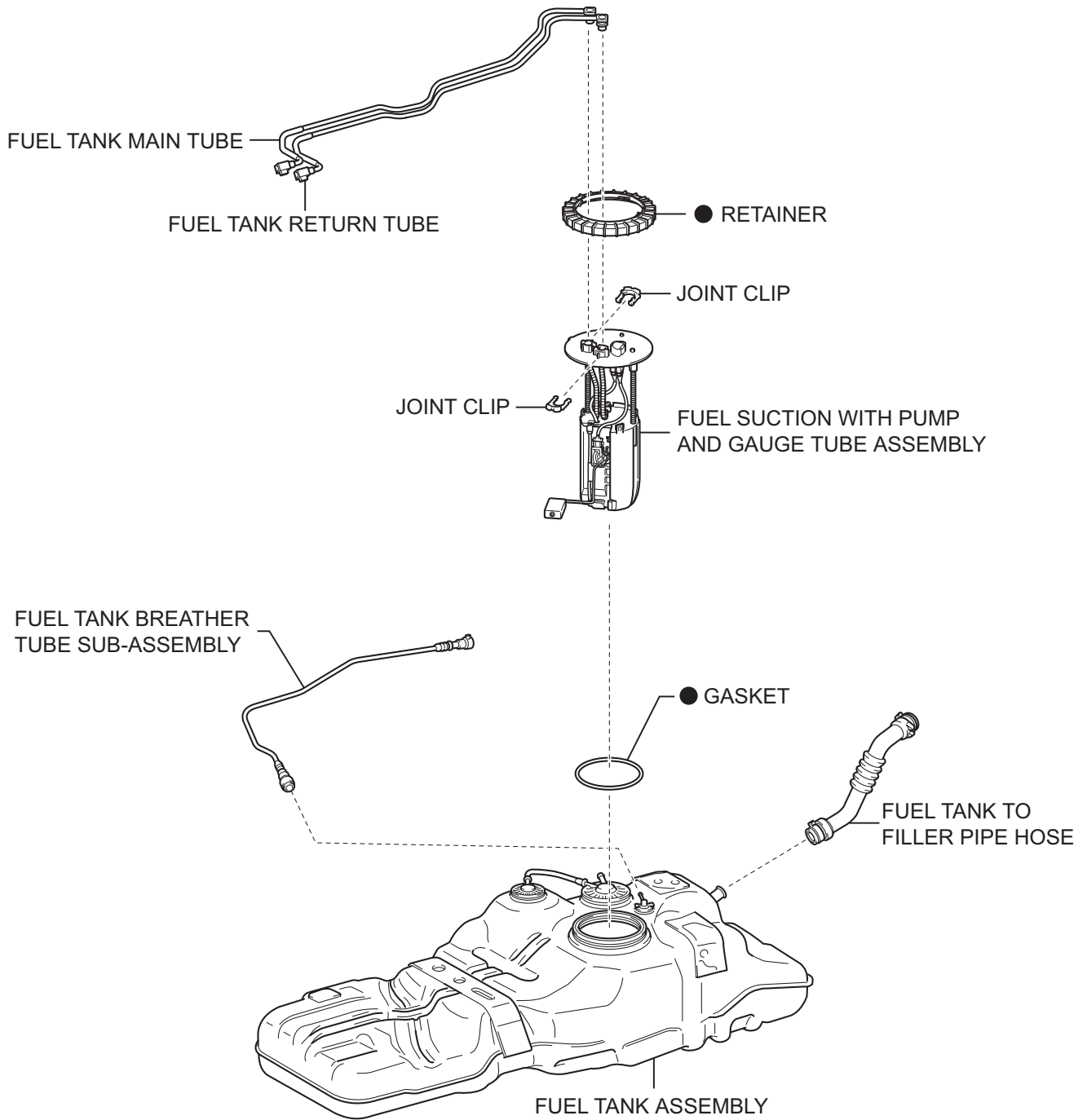
N*m (kgf*cm, ft*lbf) : Specified torque

FU

FU



N*m (kgf*cm, ft*lbf) : Specified torque



● Non-reusable part

Y